

CO

Circulating Reduction Technology

(CO CRT)

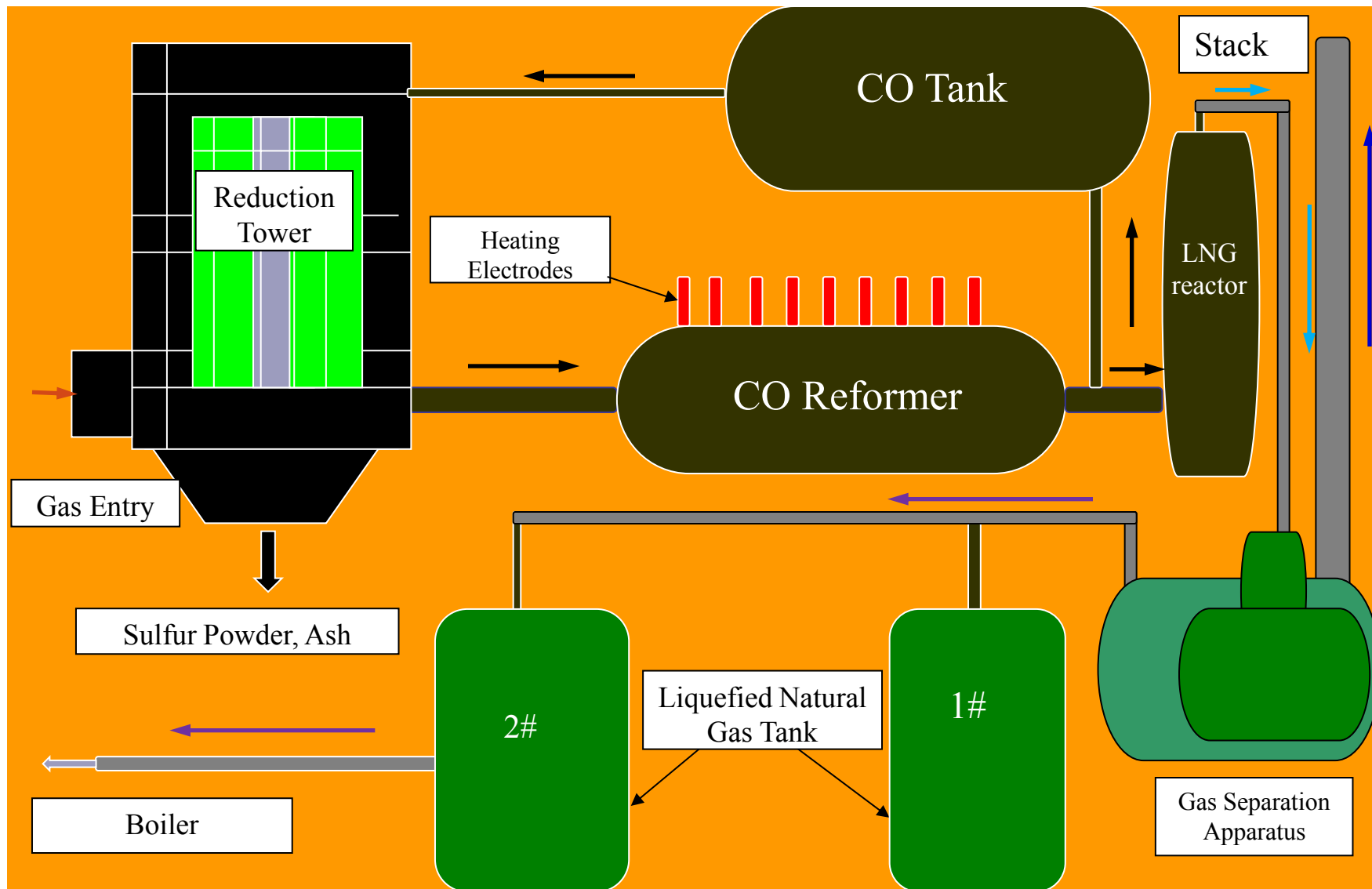
An environmental technology breakthrough for the fossil fuel-fired power plants and lowers the invest cost significantly

Looking for collaboration and investment

CO Circulating Reduction Technology (CO CRT)

- CO CRT is the process facilitated the emissions of SO², NO_x, CO² and PM from the fossil fuel-fired power plants
- The process integrates the desulfurization, NO_x reduction, carbon dioxide capture and particulate removal into a single process and lowers the cost significantly
- The key innovation of the technology is reforming the CO² from the fuel-fired flue gas into CO, which further reduces the SO² and NO_x in a deep reducing atmosphere
- The patented core technology aims to control the pollutants emissions and the precipitated elemental sulfur from desulfurization turns to be a valuable byproduct
- The CO from the reforming process is to produce synthesis Liquefied Natural Gas (LNG). Part of the LNG feeds to the boiler for combustion and the rest of the LNG is further to the production of dimethyl ether in the one-step synthetic gas production process.

CO Circulating Reduction Process



Investment

Project investment: \$1.15 Billion

Deposit Received: \$3.45 Million

R&D

\$4.22 Million

Equipment

In Development: \$0.58 Billion

Equipment

Funding looking for: \$40 Million

Market and Sales

CAD\$Milliom

Custom	Sales	Contract
China DaTang Power Generation	40.24	5.84
China GuoDian Corporation	34.49	6.71
China HuaDian Corporation	28.74	2.3
China HuaNeng Group	15.33	1.03
China Power Investment (CPI)	6.32	3.12
CPI (Guizhou Jinyuan)	8.05	
Total	133.16	19.01

Potential Custom

CAD\$Milliom

Custom	Sales and Progress
Shaanxi WeiDian	38.32
Beijing Electric Power (Neimengdaihai)	Approved Pending Funding
Shaanxi Investment (Qingshuichuan power Generation)	
DaTang Power Generation (baqiao)	
DaTang Power Generation (Lueyang)	In Development
Baoji Second Power Generation	In Development

Invest Opportunity

We are raising a \$40 Million

We will use this proceeds to:

- Market development
- Equipment purchase
- Project delivery

Contact

Wenqin Shao

Siwyc Consulting Inc

613-761-8118

Wenqin_shao@siwyc.com

www.siwyc.com