

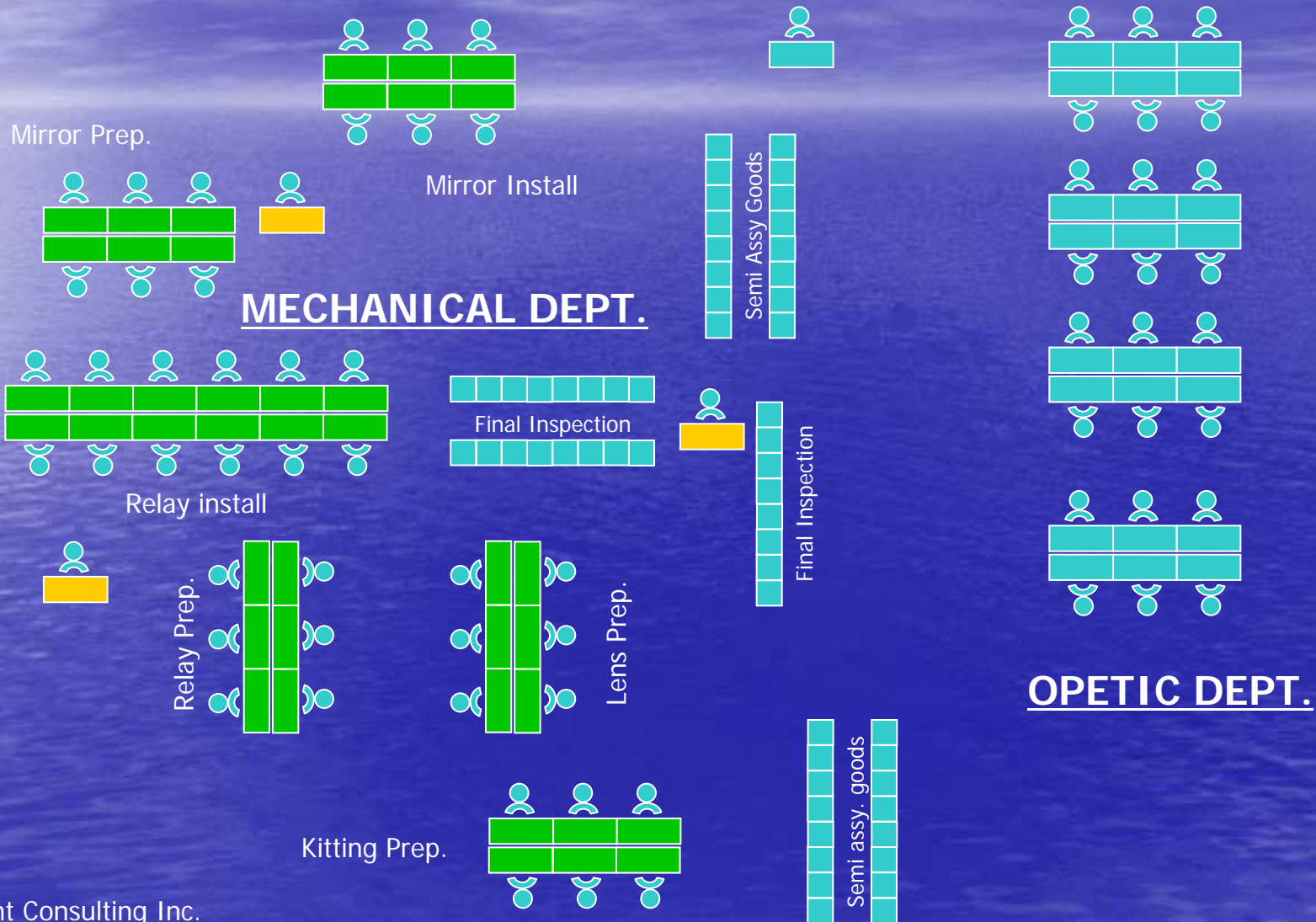
Lean Manufacturing

Case Study *Value Stream Mapping*

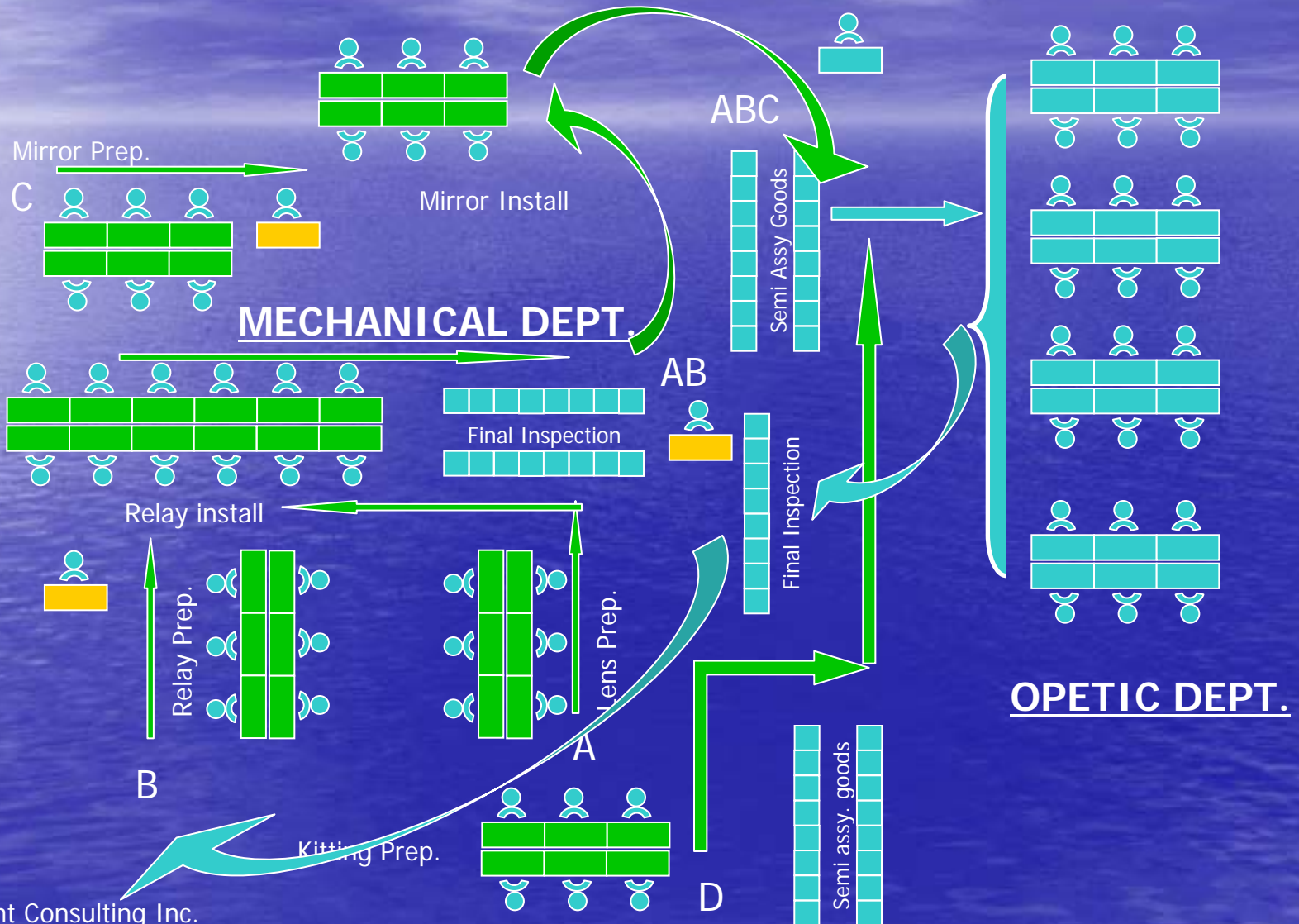
Wenqin Shao, MBA, P.Eng.

Sino Waypoint Consulting Inc.
wenqin_shao@siwyc.com

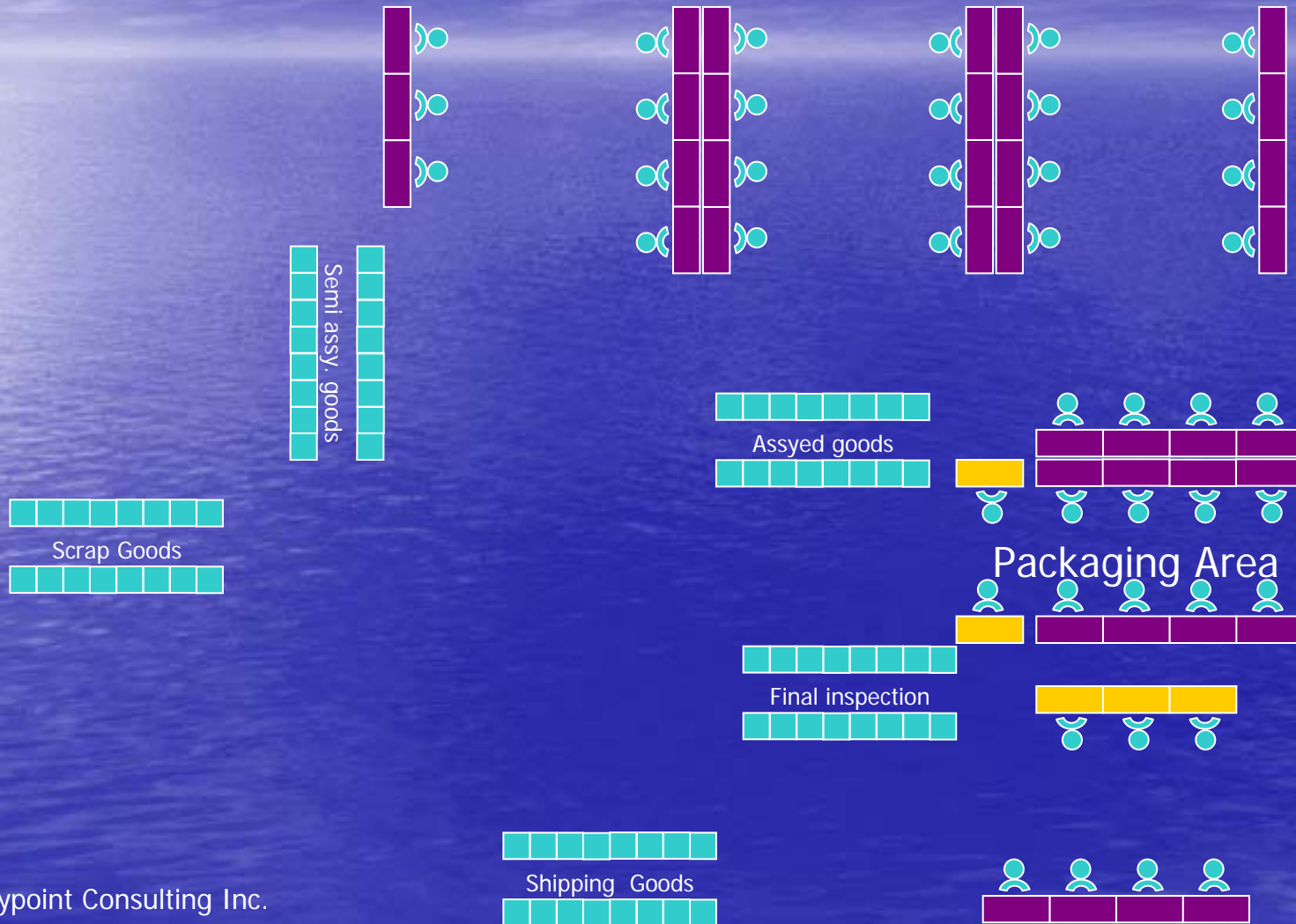
Mechanical & Optic Layout



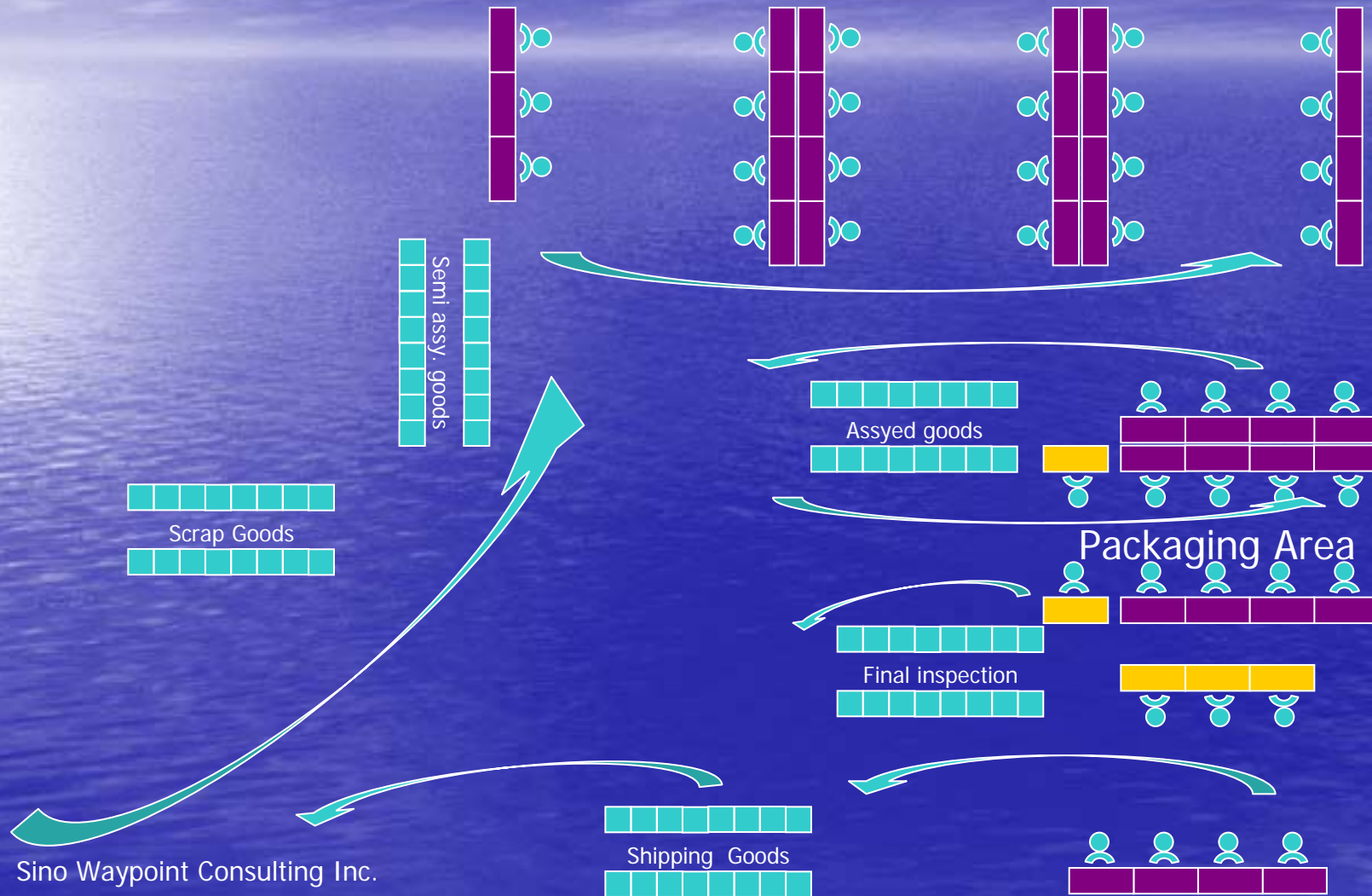
Material Flow Chart



Testing Layout



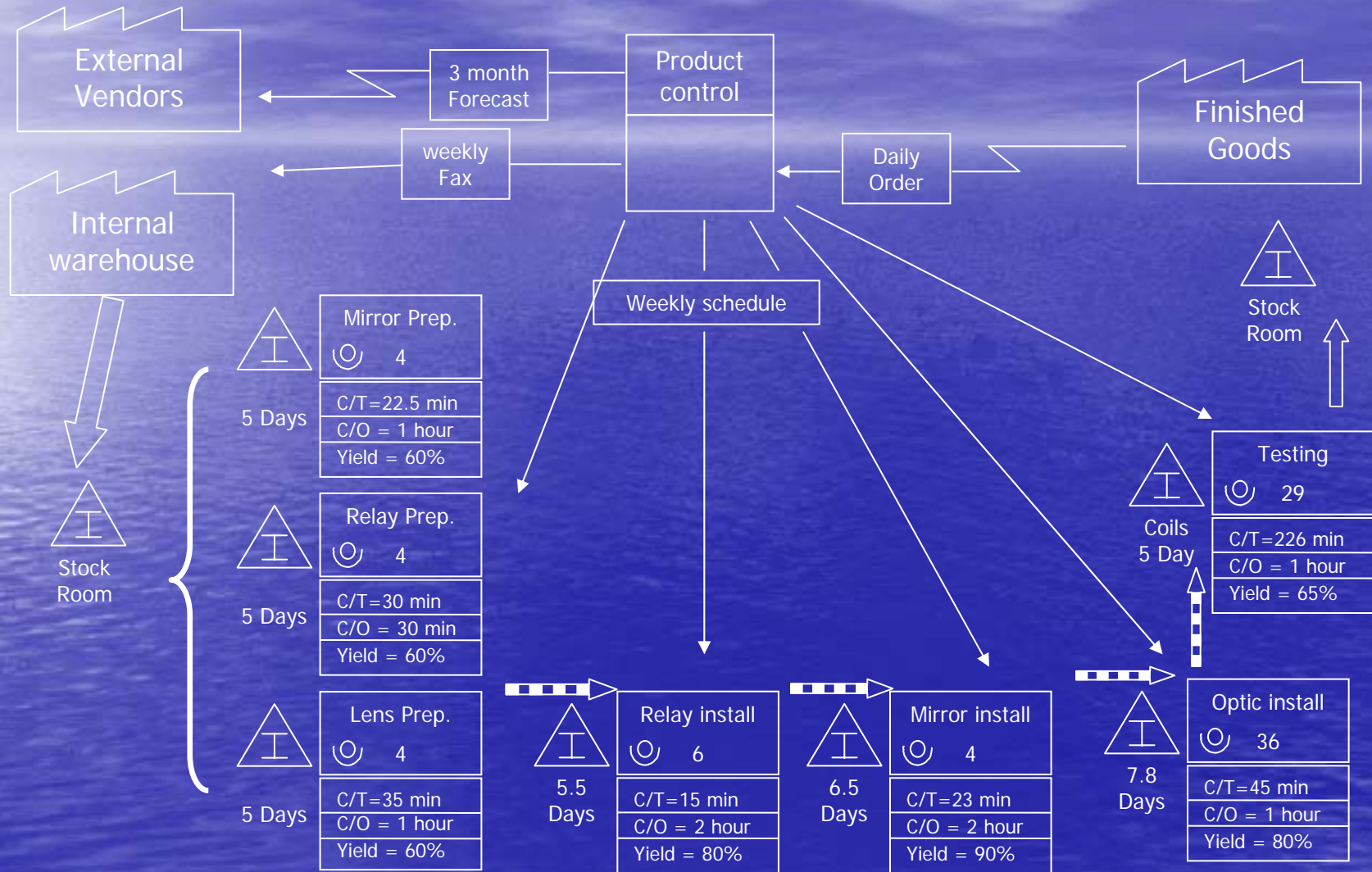
Testing Material Flow



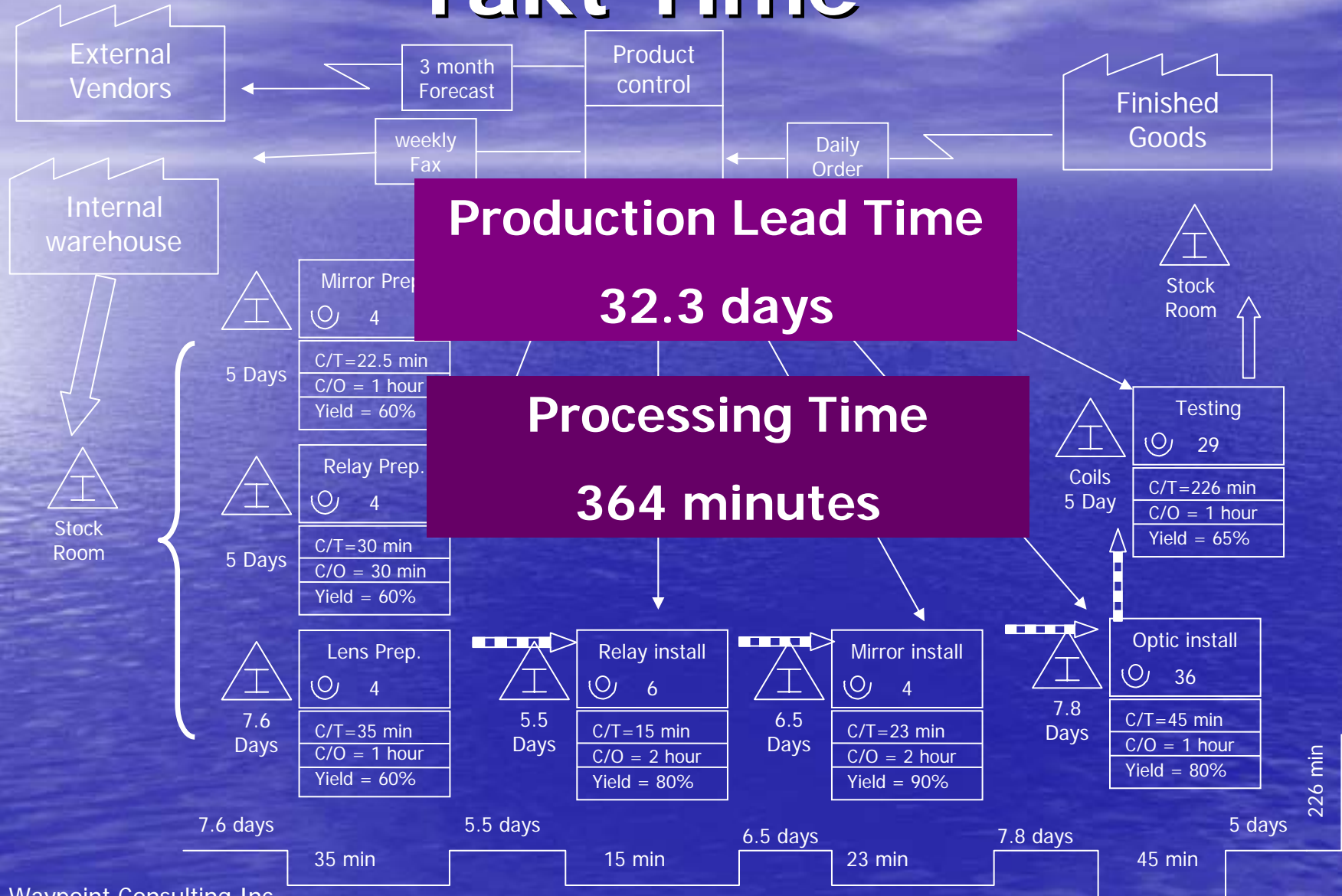
Process Flow Views



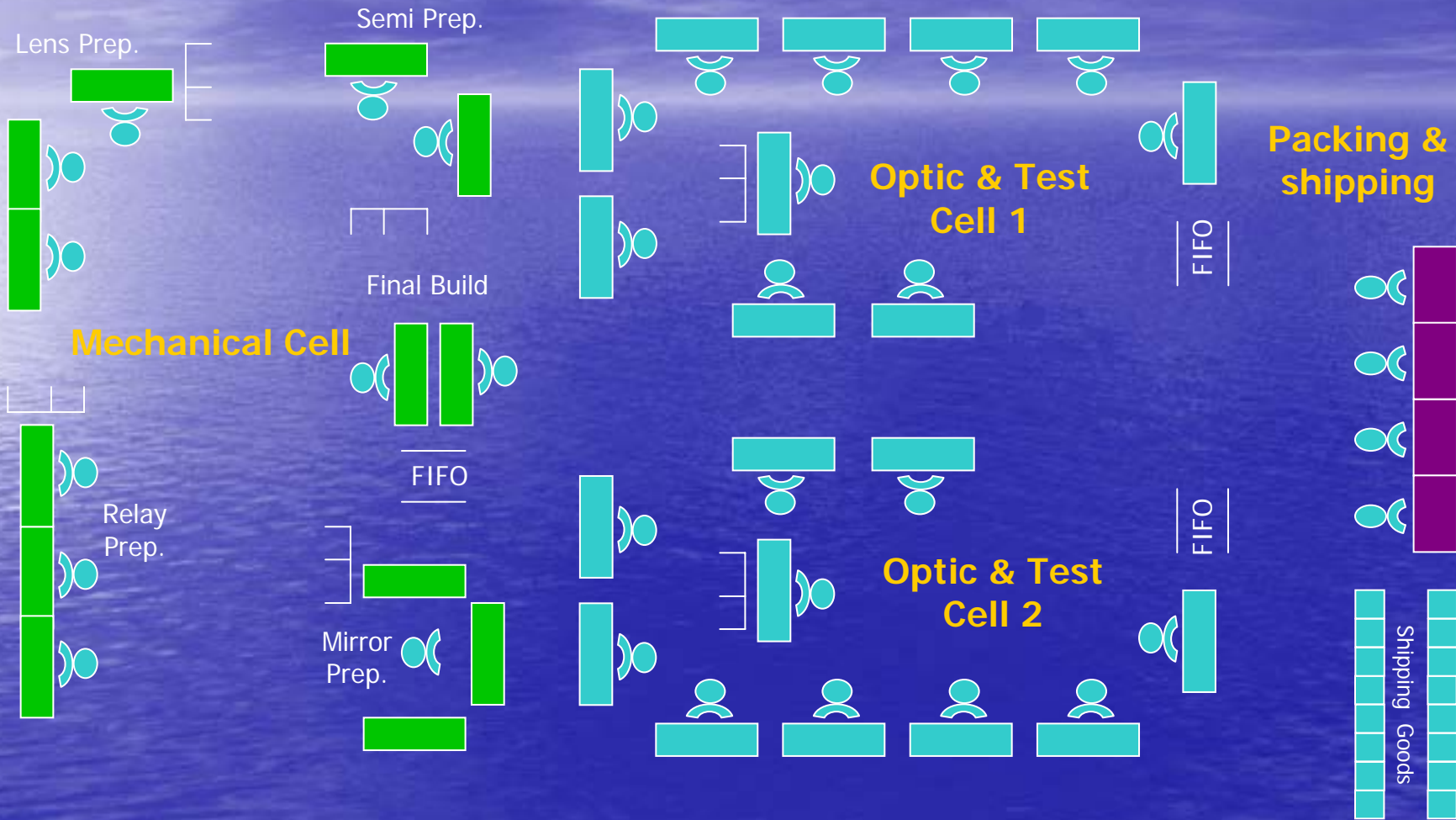
Information Flow



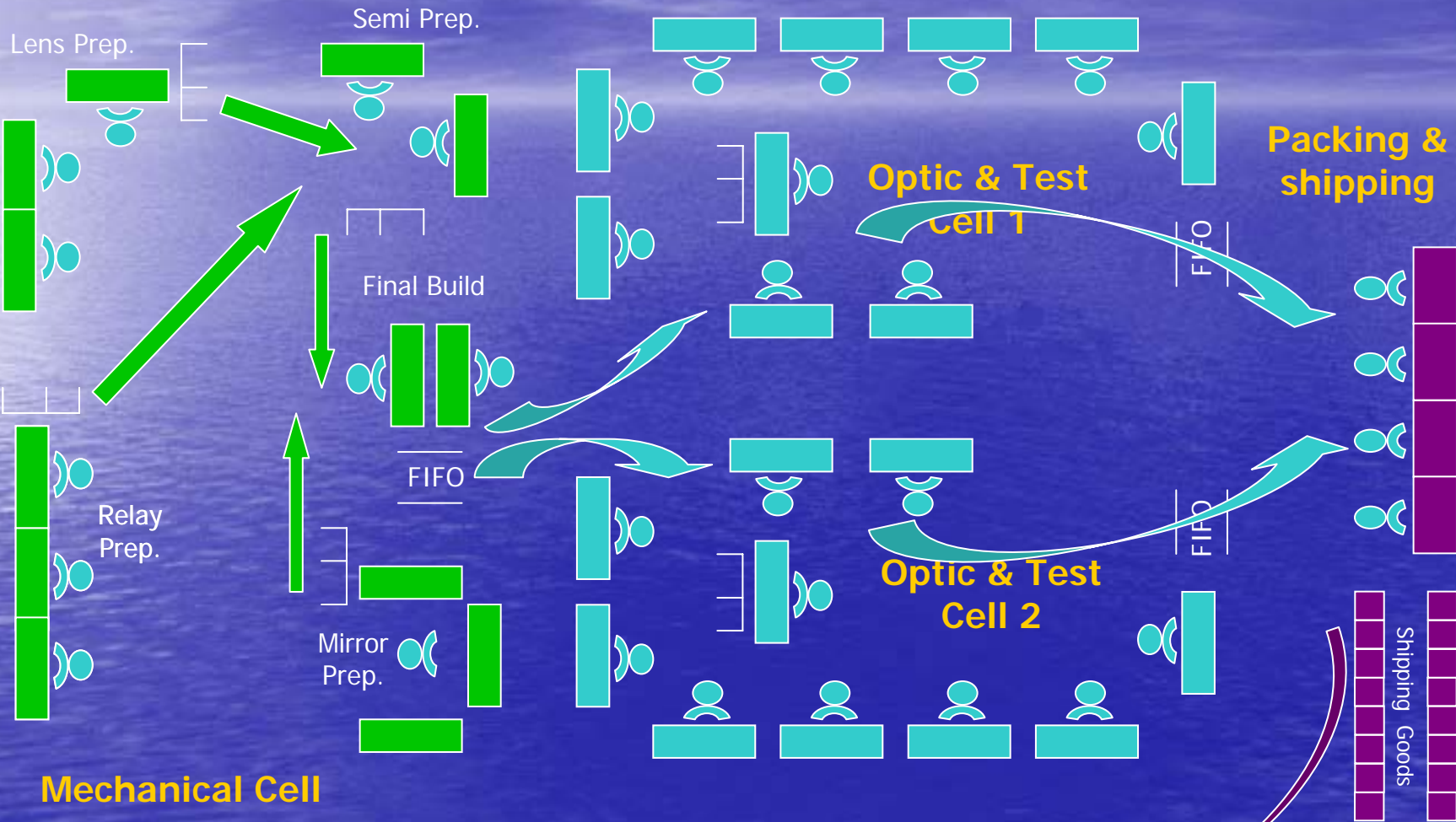
Takt Time



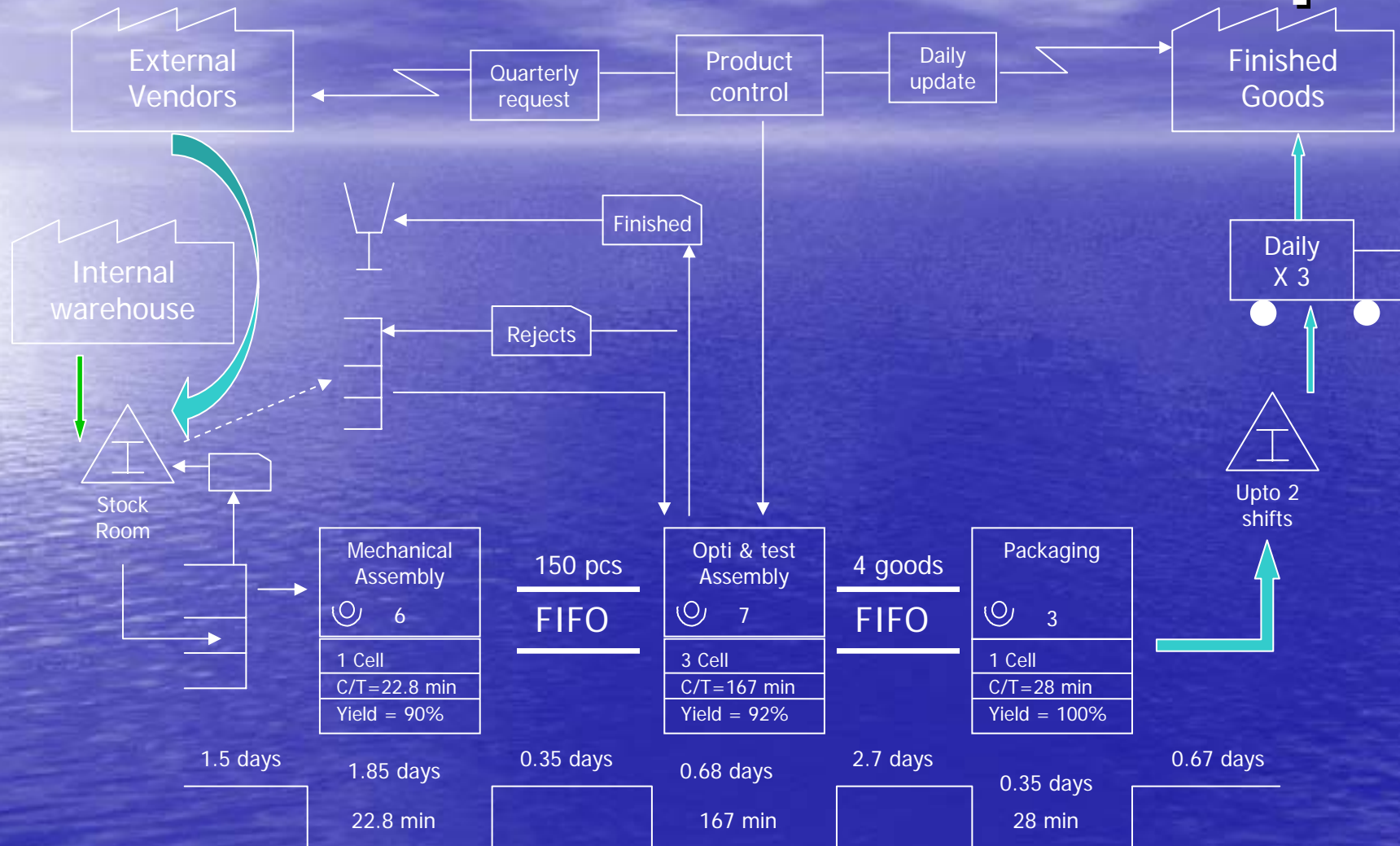
Cellular Cell



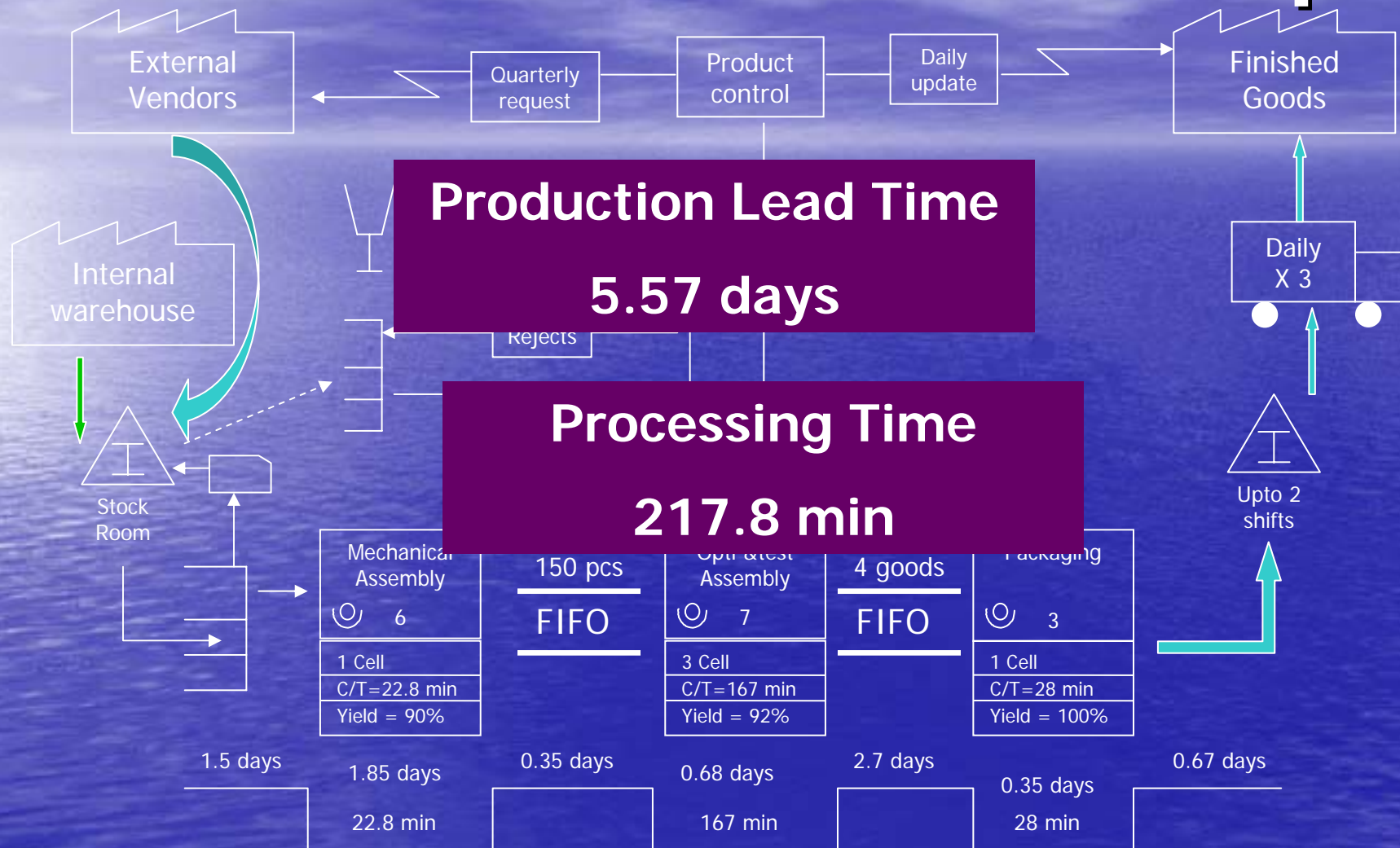
Material Flow



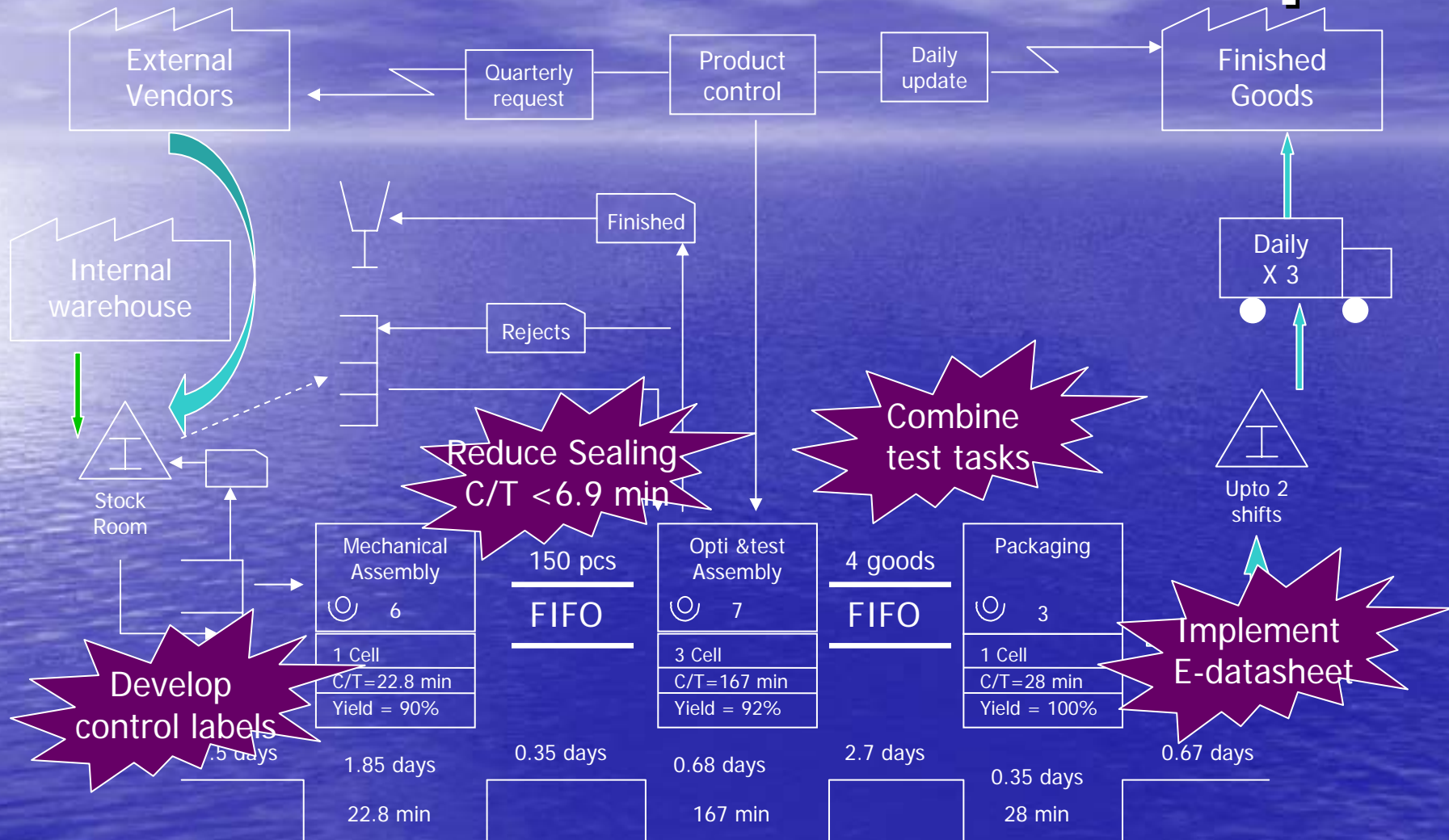
Future Value Stream Map



Future Value Stream Map



Future Value Stream Map



Contact Information

Lean Manufacturing consulting Project

Contact:

Wenqin Shao

wenqin_shao@siwyc.com